

CONTENT LIST

1.0 Housing

2.0 PUMP SET

2.1 CYLINDER HEAD

2.2 Thrust guidance

3.0 MOTOR

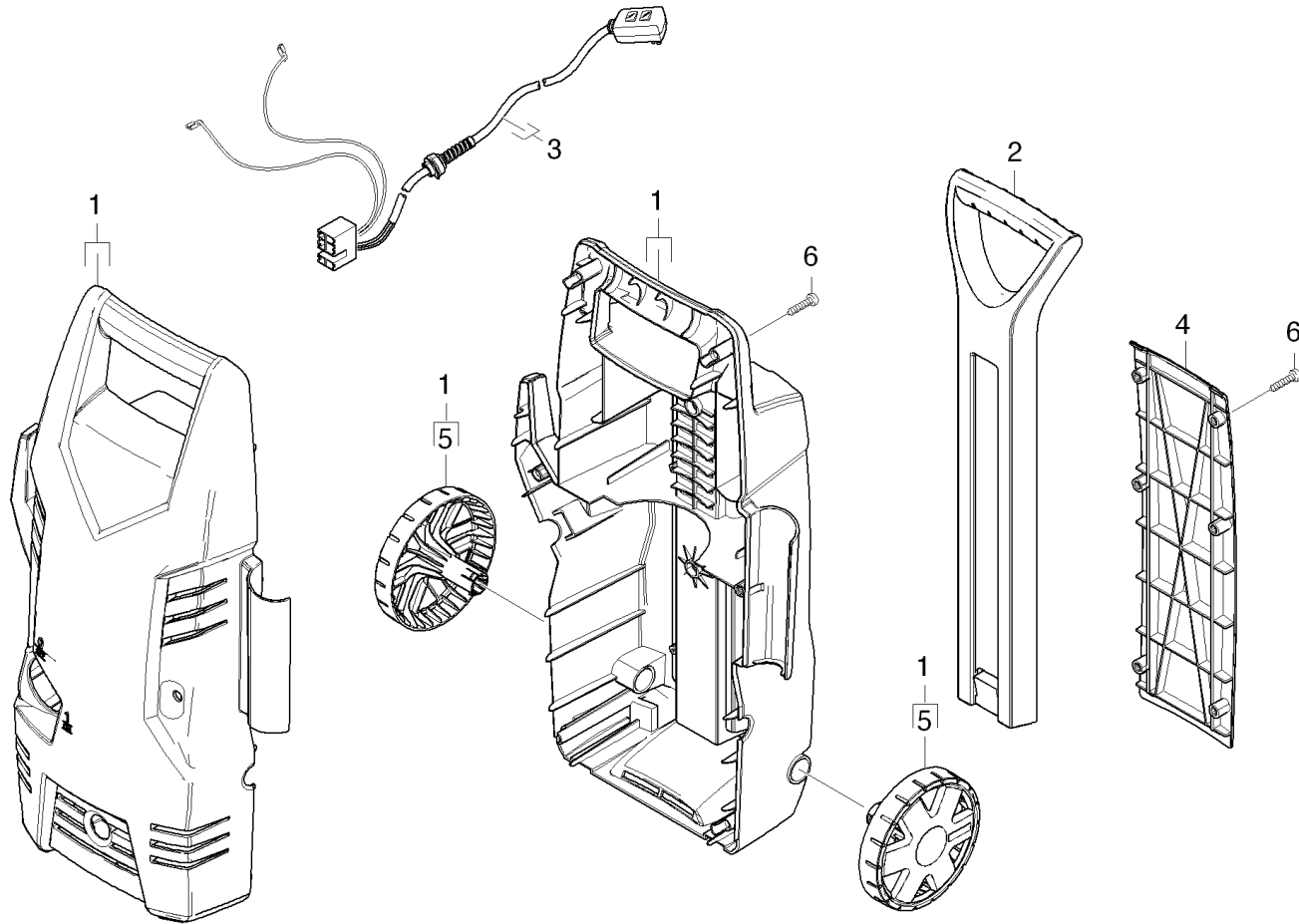
4.0 Accessories

4.1 TRIGGER GUN

4.2 Jet pipe

4.3 Surface cleaner

1.0 Housing



1.0 Housing

POS	DESCRIPTION ADDITIONAL INFORMATIONS	PART NO	QTY.	FROM SER.NR.	UP TO SER. NR.
1	Housing pair with wheels Ersatz K2.26M	97501790	1		
2	K2.26M handle	97602600	1		
3	Cable complete with multi-connector	97500720	1		
4	Cover for handle K2.26M	97602550	1		
5	Wheel K2.900	55152730	2		
6	Srew 4x22	90861730	12		

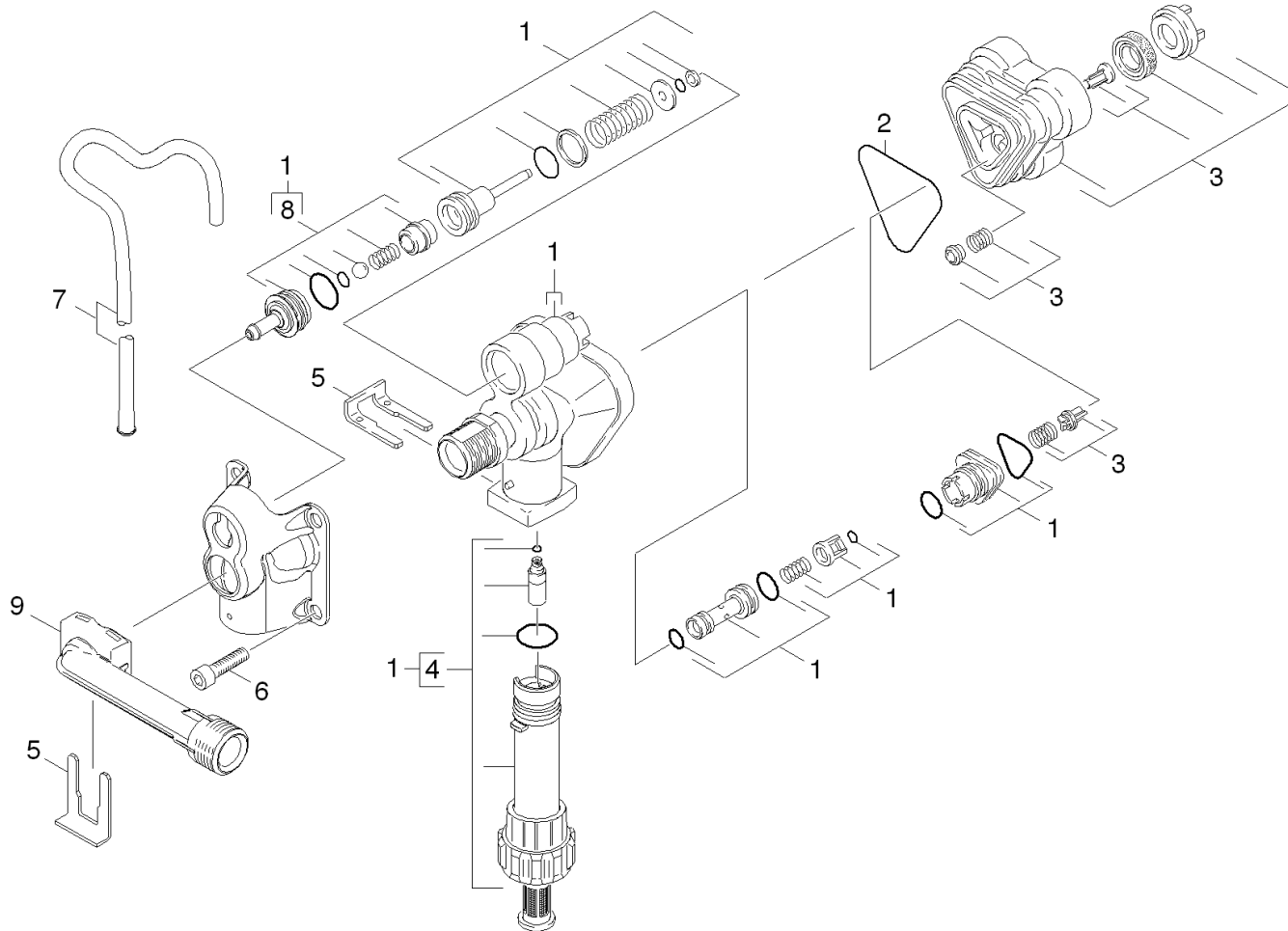
2.0 PUMP SET

2.1 CYLINDER HEAD

2.2 Thrust guidance



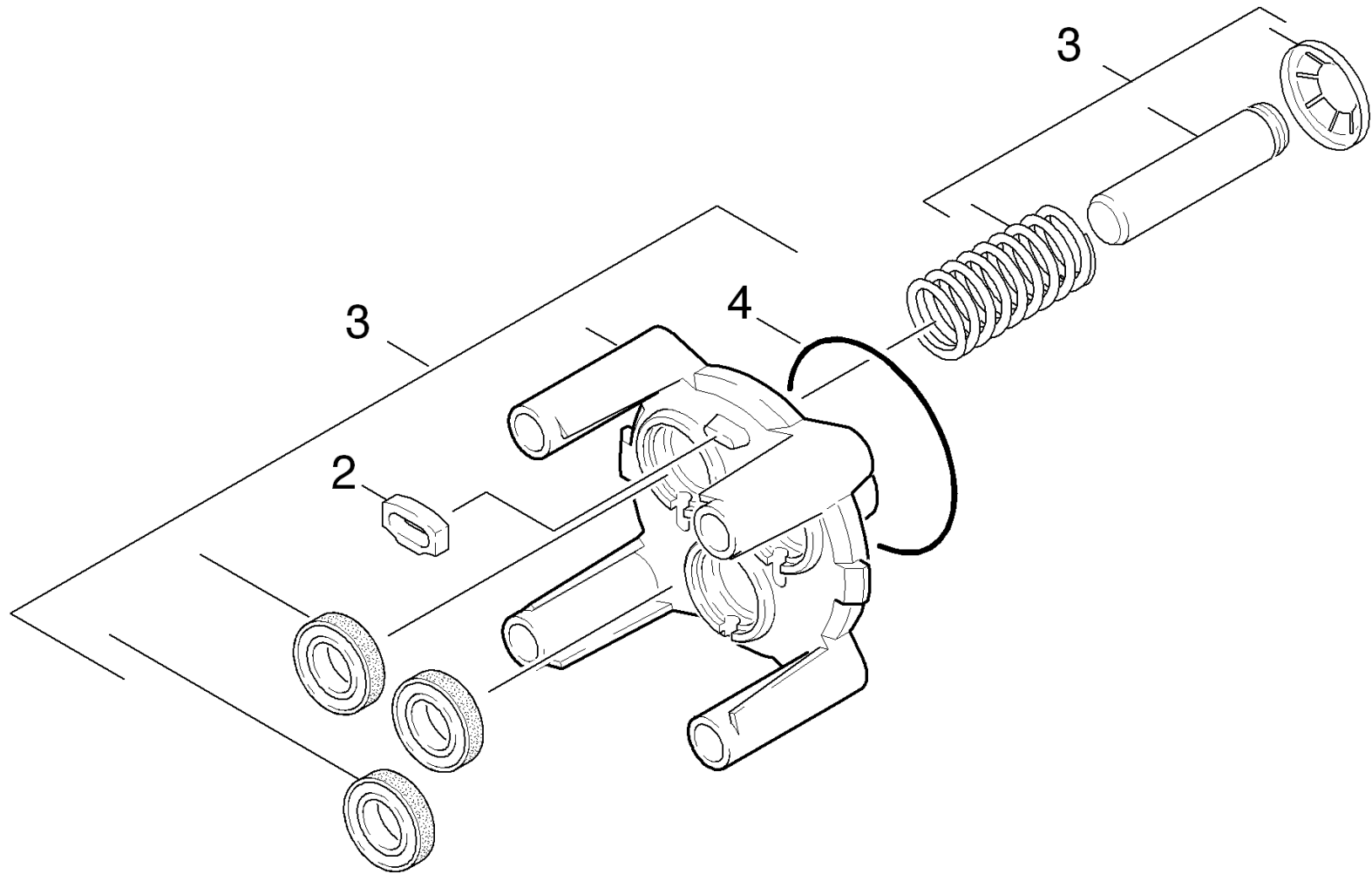
2.1 CYLINDER HEAD



2.1 CYLINDER HEAD

POS	DESCRIPTION ADDITIONAL INFORMATIONS	PART NO	QTY.	FROM SER.NR.	UP TO SER. NR.
1	Manifold complete replacement K2.26*	97501760	1		
2	Form seal	90814220	1		
3	Cylinder head complete Spare Part	97601970	1		
4	Inlet fitting cpl +SV	97501770	1		
5	CLAMP	90391480	2		
6	Cylinder head screw M8x65 -8.8-A2E ISO4	73061510	4		
7	Filter cleaning agents W107/207	90119110	1		
8	Nipple chemistry complete (CEN)	97500580	1		
9	Outlet fitting upright (9.036-703)	97602090	1		

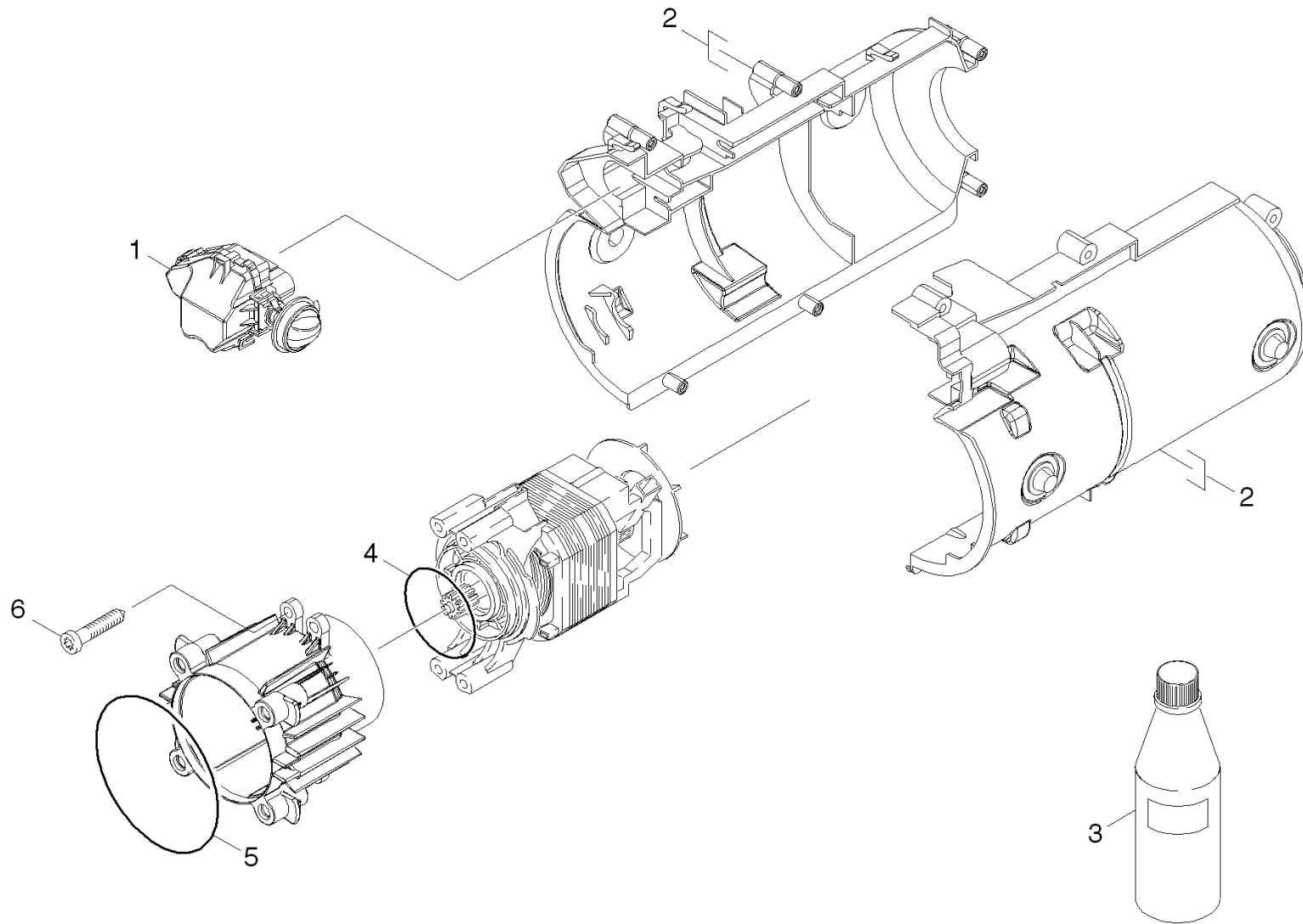
2.2 Thrust guidance



2.2 Thrust guidance

POS	DESCRIPTION ADDITIONAL INFORMATIONS	PART NO	QTY.	FROM SER.NR.	UP TO SER. NR.
2	SPACER	90480710	1		
3	Thrust guidance replacement complete (CE	97500780	1		
4	O-Ring seal 60x2,5 -NBR 80	63633390	1		

3.0 MOTOR



3.0 MOTOR

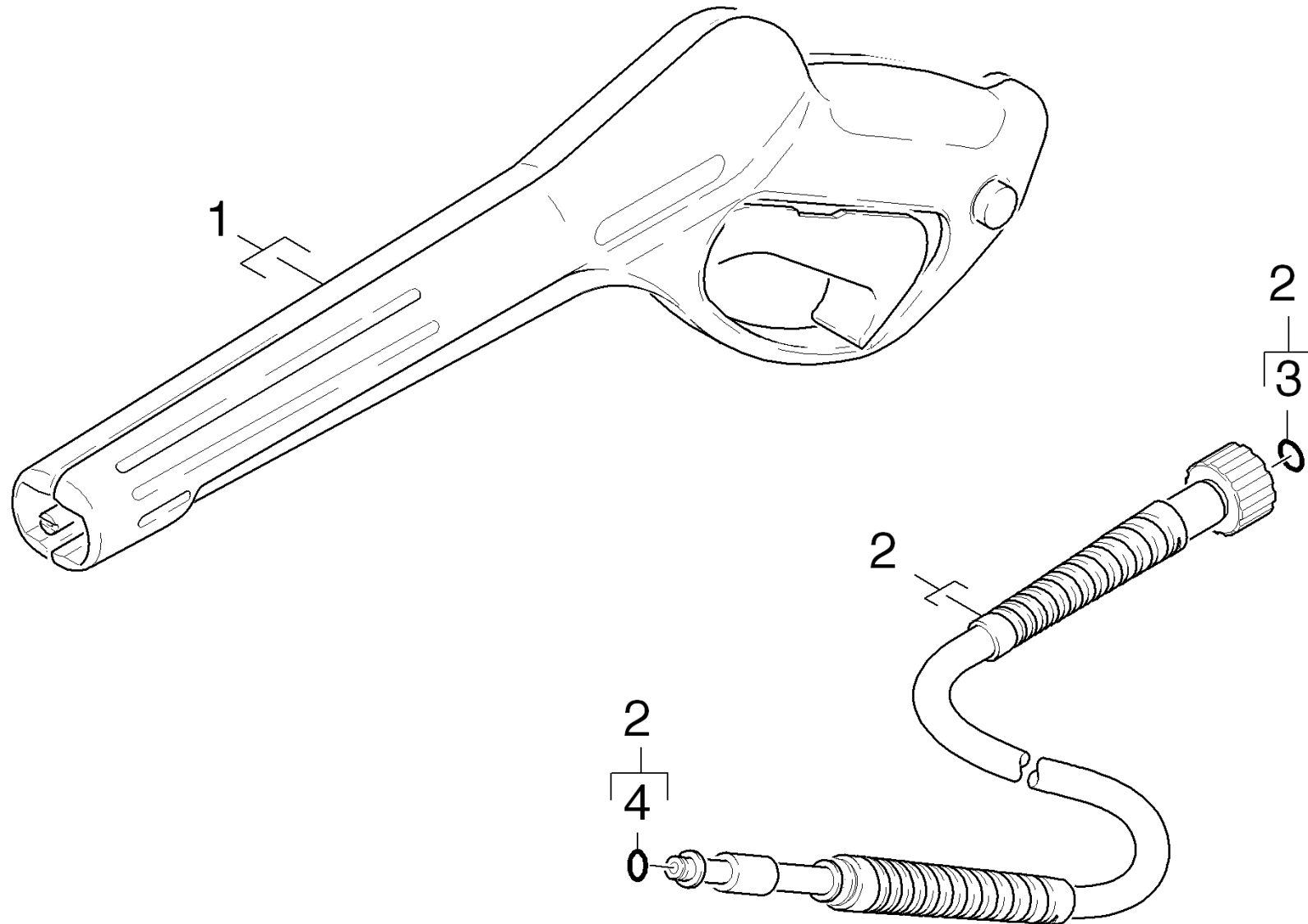
POS	DESCRIPTION ADDITIONAL INFORMATIONS	PART NO	QTY.	FROM SER.NR.	UP TO SER. NR.
1	Electric box complete replacement K2.26*	97501780	1		
2	Housing motor replacement *(CEN)	97500790	1		
3	ENGINE OIL 1 LTR	62881120	1		
4	O-Ring seal 50 x 2,2 NBR 80	63633400	1		
5	O-Ring seal 60x2,5 -NBR 80	63633390	1		
6	Screw 5x26,4	63032600	4		

4.0 Accessories

- 4.1 TRIGGER GUN
- 4.2 Jet pipe
- 4.3 Surface cleaner



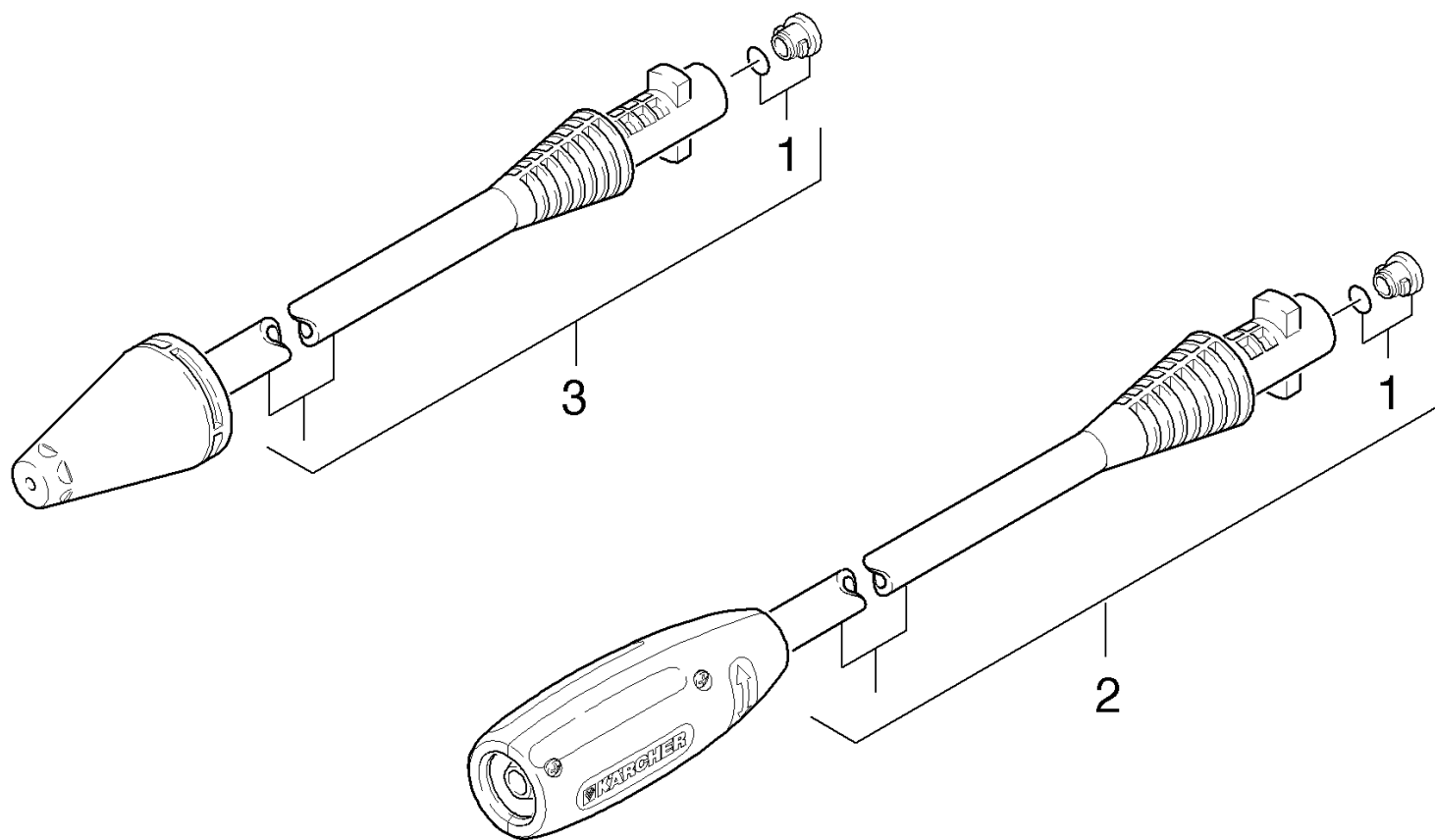
4.1 TRIGGER GUN



4.1 TRIGGER GUN

POS	DESCRIPTION ADDITIONAL INFORMATIONS	PART NO	QTY.	FROM SER.NR.	UP TO SER. NR.
1	PISTOL	47753310	1		
2	High pressure hose neutrally 6/11MPa 40G	63902610	1		
3	O RING SET HD 555	28801540	1		
4	O-Ring seal 6,75x1,78 NBR 70	63624980	1		

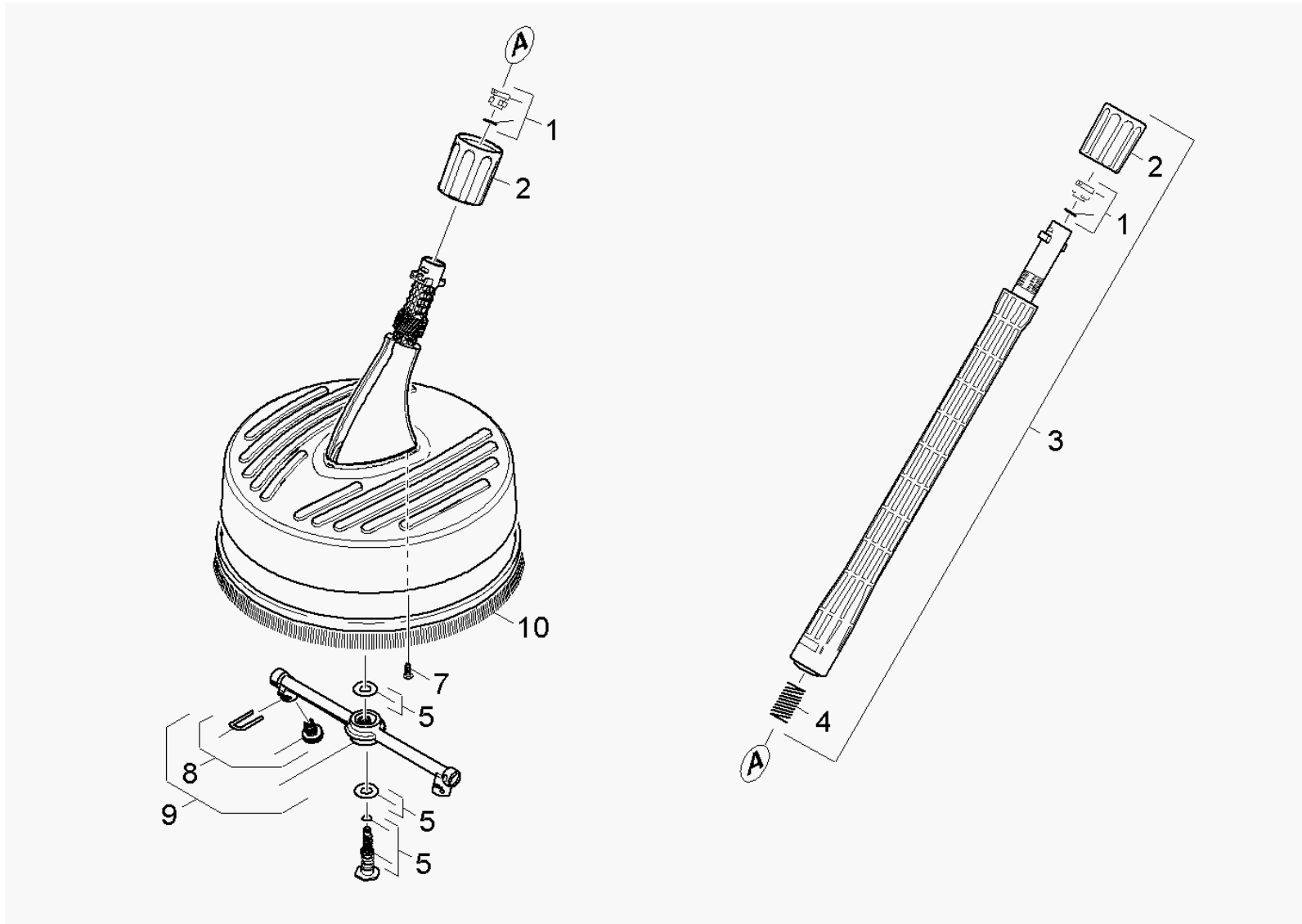
4.2 Jet pipe



4.2 Jet pipe

POS	DESCRIPTION ADDITIONAL INFORMATIONS	PART NO	QTY.	FROM SER.NR.	UP TO SER. NR.
1	GASKET	26407290	1		
2	VPS K2 026	47605200	1		
3	ROTARY NOZZLE	47639910	1		

4.3 Surface cleaner



4.3 Surface cleaner

POS	DESCRIPTION ADDITIONAL INFORMATIONS	PART NO	QTY.	FROM SER.NR.	UP TO SER. NR.
1	GASKET	26407290	1		
2	NUT	53112140	2		
3	Jet pipe T 50	47605870	1		
4	Pressure spring	53324640	2		
5	SEALING SET	28839990	1		
7	Screw 4x 12 -10.9-R2R (In6Rd)	73031060	3		
8	SPARE PARTS SET GRÅ, T-RACER	26407270	1		
9	Spare parts set rotor T 50	28845300	1		
10	Strip brush complete T 50	63699780	1		